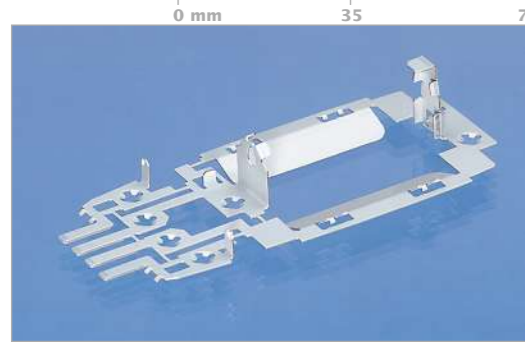


### Strip conductor



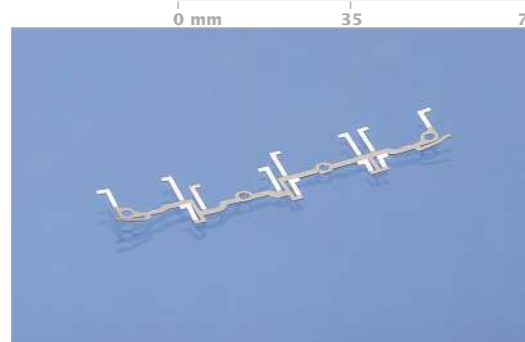
Application interior lamp  
 Annual quantity 200'000 pcs  
 Raw material copper-lead alloy  
 EN1652

### Reflector



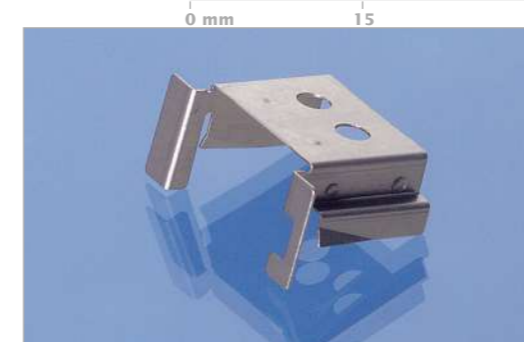
Application reading lamp  
 Annual quantity 300'000 pcs  
 Raw material aluminium  
 EN485-4

### Contact spring



Application return spring car radio  
 Annual quantity 200'000 pcs  
 Raw material stainless steel  
 1.4310/EN10258/EN10151

### EMV shielding



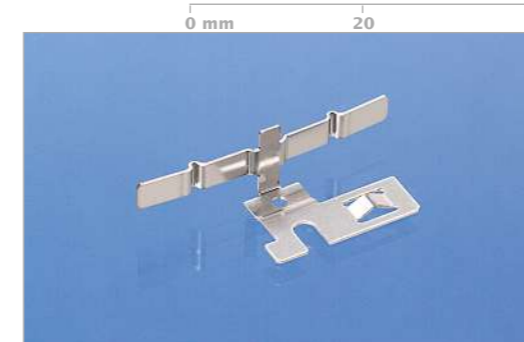
Application navigation device  
 Annual quantity 200'000 pcs  
 Raw material stainless steel  
 1.4310/EN10258/EN10151

### Contact element



Application door lamp  
 Annual quantity 1'500'000 pcs  
 Raw material copper-lead alloy  
 EN1652

### Contact element



Application interior lamp  
 Annual quantity 200'000 pcs  
 Raw material stainless steel  
 1.4310/EN10258/EN10151

### Spring



Application air conditioning control device  
 Annual quantity 900'000 pcs  
 Raw material stainless steel  
 1.4310/EN10258/EN10151

### Contact spring



Application interior lamp  
 Annual quantity 1'000'000 pcs  
 Raw material stainless steel  
 1.4310/EN10258/EN10151

# Interior Solutions



## Light and durable

«Automotive | Interior Solutions» are complex, and the parts manufactured in this division fulfill the highest demands concerning design and geometry. The choice of materials is especially important. The raw material used is not only the best and the most reasonably priced for the purpose, but also the lightest and most durable. As a result, the durability of the parts – as specified – is higher than that of the vehicle.

Oskar Rüegg has a solution for your needs, fast and perfect.

Take our word for it.

### METAL MOLDED PARTS

- Automotive  
Infotainment  
Lighting  
Interior solutions  
Connectors/Shieldings  
Motor management
- Building/Lighting
- Electronics/Connectors

### ASSEMBLING GROUP

- Assemblies