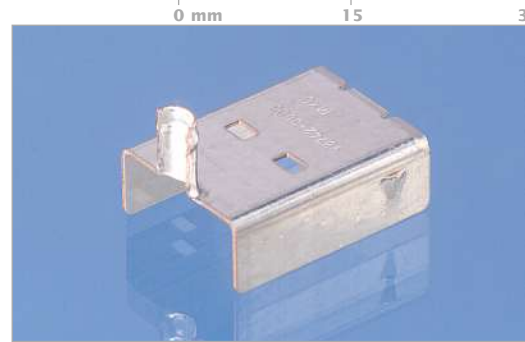
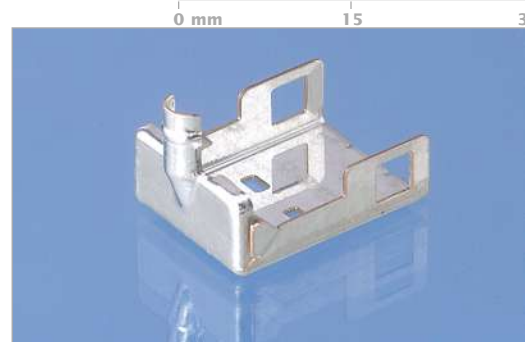


EVG shielding



Application head lamps
 Annual quantity 2'000'000 pcs
 Raw material copper-lead alloy
 EN1652/EN1654

EVG shielding



Application head lamps
 Annual quantity 2'000'000 pcs
 Raw material copper-lead alloy
 EN1652/EN1654

D1 shielding



Application head lamps
 Annual quantity 2'000'000 pcs
 Raw material copper-lead alloy
 EN1652/EN1654

D1 shielding



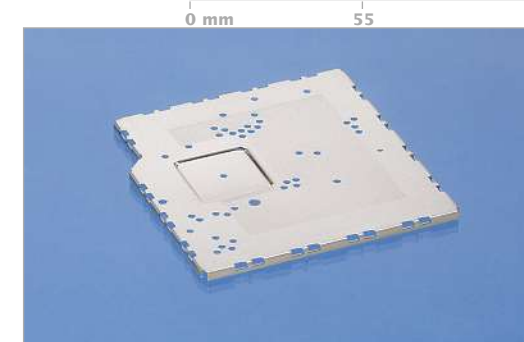
Application head lamps
 Annual quantity 2'000'000 pcs
 Raw material copper-lead alloy
 EN1652/EN1654

Contact shielding



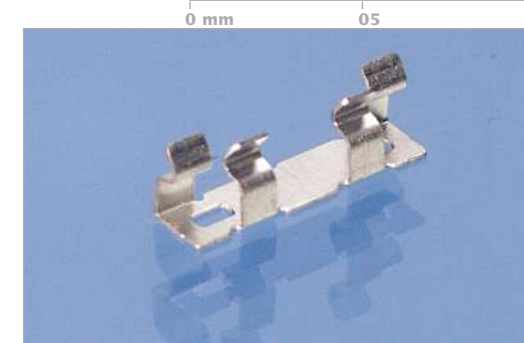
Application head lamps
 Annual quantity 1'500'000 pcs
 Raw material stainless steel
 1.4301/EN10088

EMC cover



Application CD + DVD players
 Annual quantity 500'000 pcs
 Raw material tinplate
 EN10202

Shielding clip



Application CD + DVD players
 Annual quantity 6'000'000 pcs
 Raw material stainless steel
 1.4310/EN10151/EN10248

Shielding connector



Application plug-in connector
 Annual quantity 500'000 pcs
 Raw material stainless steel
 1.4301/EN10088

Connectors/Shieldings



Perfectly shaped – totally protected

In the «Automotive | Connectors/Shieldings» division, electromagnetic screening is paramount. Each motor vehicle is equipped with a large amount of electronics, and electronics imply interference, which can be avoided only by perfect screening. Consequently, unflinching electromagnetic compatibility requires high dimensional accuracy of the parts – and the best possible process safety within high-volume production.

Oskar Rüegg has a solution for your needs, fast and perfect.

Take our word for it.

METAL MOLDED PARTS

- Automotive
Infotainment
Lighting
Interior solutions
Connectors/Shieldings
Motor management
- Building/Lighting
- Electronics/Connectors

ASSEMBLING GROUP

- Assemblies